

CALDARA




100% MADE IN ITALY

OW3XL.VHPO/RX
Height-adjustable, radiolucent plan stretcher

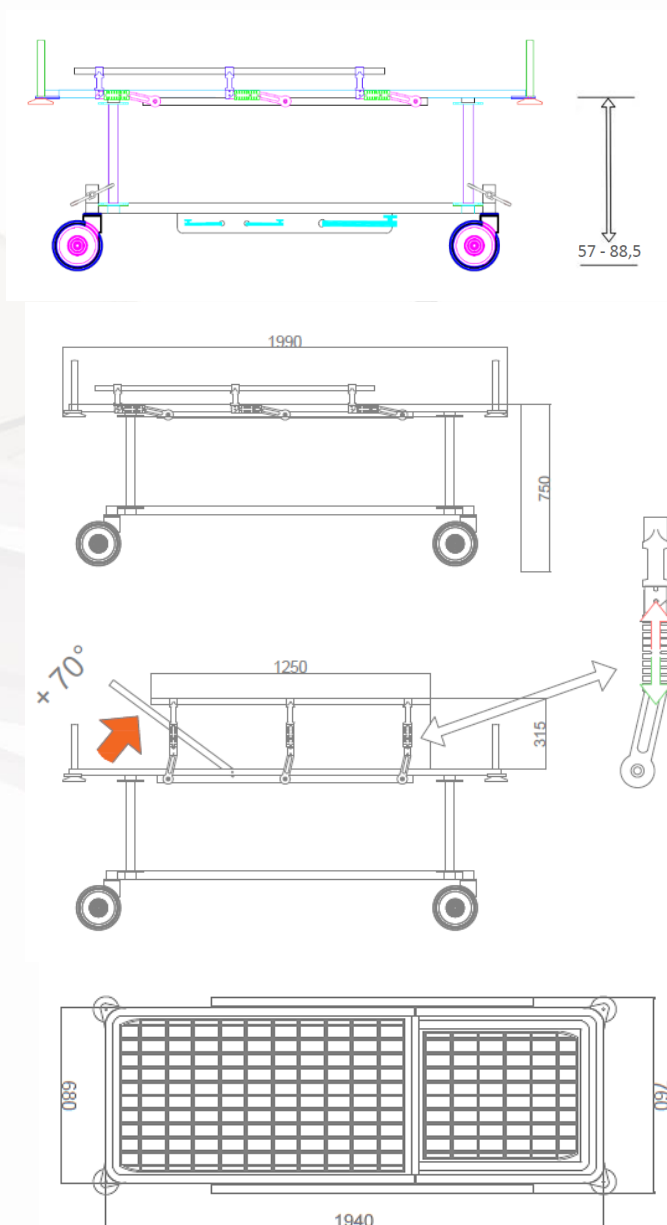


OW3XL.VHPO/RX

BASIC CONFIGURATION

Height-adjustable structure by means of 2 hydraulic pumps with remarkable performance characteristics. The transparent radio surface is remarkable thanks to the distance between the two vertical pumps and is guaranteed by a very resistant 10 mm thick surface. The innovative design makes the stretcher absolutely solid and comfortable allowing operators to comfortably perform manoeuvres to the patient. The side rails are very practical and can be folded down quickly and easily. The structure is equipped with push handles, 4 bumpers at the corners and a universal cylinder holder. The cushion can be reclined by means of two gas springs which can be easily operated thanks to the practical ergonomic lever; its inclination is equal to 70°. The wheels are Ø 200 mm all with central and total brake, one with a directional lock.

The entire structure is painted with light grey epoxy powders. Thanks to its essential line it is easily washable and sanitisable. The pedals on both sides allow you to adjust the stretcher in height and to tilt the structure in the TR / RTR position. The capacity of the structure is 200 kg.



TECHNICAL FEATURES

The construction materials are rectangular and round square tubular furniture from Uni 7947/81 and 8913, DIN 2394, threaded bushes in AVP, flat in FE.

The structure follows a process of phospho-degreasing, rinsing and application of the powdered paint cured at 200°, its minimum thickness is 70/80 microns. The finish is glossy. The maximum static load of the single vertical hydraulic pump is 300 daN. at 95 Bar.

The Ø 200 mm wheels have a static load capacity of 150 kg per single wheel, the brake is central simultaneously with 4 pedals.

TRENDELENBURG/ REVERSE TRENDELENBURG MOVEMENT (-17°/+17°)



MATTRESS COVER (OPT3.OW)



SFODERABILE
REMOVABLE



ANTISTATICO
ANTISTATIC



ANTIBATTERICO
ANTIBACTERIAL



ANTIACARO
ANTIACARUS



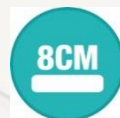
TRASPIRANTE
BREATHABLE



IGNIFUGO
FIREPROOF



134°
MAX. 7 MIN
STERILIZZABILE
STERILIZABLE



8CM
SPESSORE
THICKNESS



IMPERMEABILE
WATERPROOF

AVAILABLE COLOURS



OPTIONAL

- OPT1.OW - IV pole
- OPT3.OW - Removable, antistatic, antibacterial, anti-mite, breathable, fireproof, waterproof and sterilisable mattress H. 8 cm
- OPT5.OW - 4 wheels Ø 200 mm with simultaneous central brake
- OPT6.OW - 4 wheels Ø 200 mm with central brake, simultaneous conductive
- OPT7.OW - Upper surface in radiolucent carbon (when ordering please request a level of transparency 0.6 / 0.7 mm aluminum sp)
- OPT8.OW - Universal storage
- OPT9.OW - Fifth wheel Ø 125 mm



CONFORMITY

Class 1 medical device compliant with the requirements of the EEC directive 93/42.

NATIONAL CLASSIFICATION OF MEDICAL DEVICES (CND)

Manufacturer: CALDARA SRL

Code attributed by CALDARA SRL:
OW3XL.VHPO / RX

CND classification: Y123099

Progressive number assigned by the system (RDM): 1995296/R



web link

CALDARA SRL

Via Trieste 31/B
22036 Erba (CO)
Italy

PH: +39 031640896

info@caldarasrl.it

www.caldarasrl.it